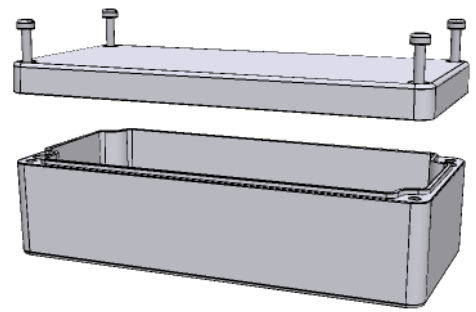


UL US LISTED
File #E65324
NEMA 4, 4X



Enclosures can be Factory Modified (Milling, Drilling, Printing etc.)
Contact Factory mjm@hammondmfg.com for quotes
Solid models of this enclosure available in STEP or IGES.

NOTES	
Purchased assembly includes enclosure, M4x25 lid screws and M4x6 ground screws.	
Gasket - Performed Silicone Rubber	
Cover screws should be torqued to 5-7.5 lbf.in (50-75 cN.m)	

1590Z130	
PART NUMBERS	
Basic Enclosure	1590Z130
Black Enclosure	1590Z130BK
Grey Enclosure - RAL7001 Gloss	1590Z130GY

HAMMOND MANUFACTURING™

1590Z130

www.hammondmfg.com